

H = 95475.079 m
T = 49.260 m
I = 0.013 m
Km = 80-900.000
N TS = 50.113 m

78.992.00
L = 1493.00 m

82.778.00
L = 1611.00 m

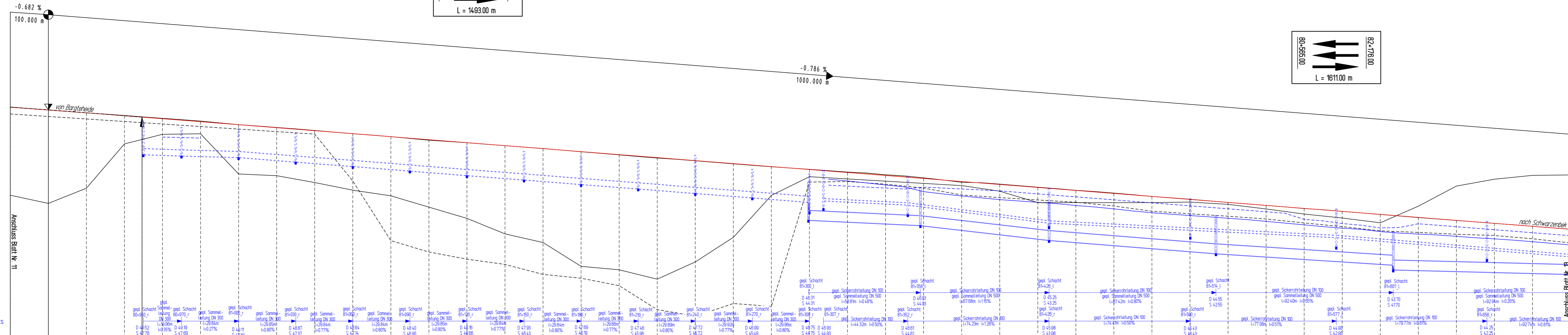
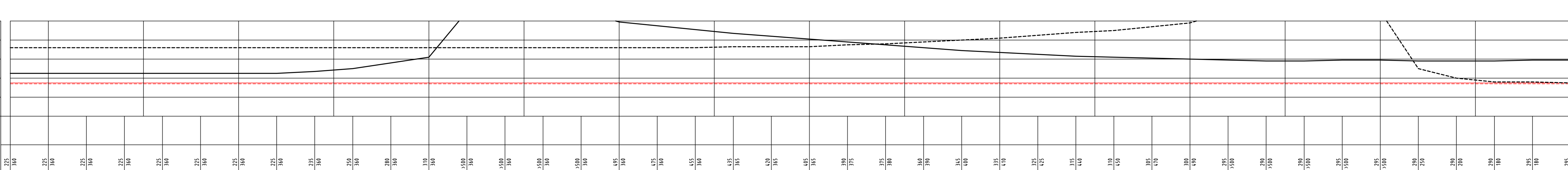
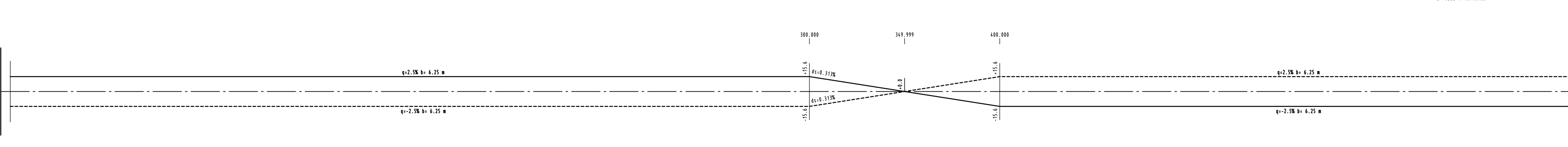
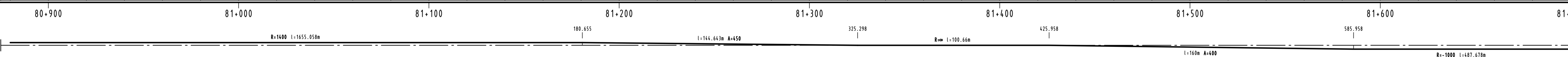


Table with 10 columns: Station, NN, and various elevation and slope data points for the drainage system.



Zeichenerklärung (Legend) defining symbols for dammed sections, cut sections, and drainage lines. Includes a small profile diagram and a coordinate system diagram.

Table for recording changes (Änderungen) with columns for number, description, date, and name.

INGENIEURGESELLSCHAFT FÜR BAU- UND VERMESSUNGSWESEN Werner Odemann Herbert Krause. Includes contact information and a small table for project details.

Landesbetrieb Straßenbau und Verkehr Schleswig - Holstein. Project information including address, location, and drawing details.

B 404 / Bau von Überholfahrstreifen zw. A 1 u. A 24 (2.BA). Project title and drawing type (Höhenplan mit Entwässerung).

Planfeststellungsunterlage vom 19.12.2014. Includes the name of the authority (Landesbetrieb Straßenbau und Verkehr) and the date of the plan.